

Ball Screws



Features

- **High precision**

Han's TST ball screw is grinded, assembled and inspected in the factory with strictly controlled temperature. Through strict control of each link, the high precision of *Han's TST* ball screw is ensured. Ball screw above accuracy class C5 shall be attached with accuracy check list.

- **Excellent durability**

Cherry-pick materials, correct heat treatment and advanced grinding process ensure the long service life of *Han's TST* ball screw.

- **High rigidity and no back clearance**

The raceway of the Han-transmission ball screw adopts the Gothic-type groove shape, as shown in Figure 1.1, so that the gap between the ball and the raceway reaches the minimum level, and then the gap can be 0 by applying preload. In addition, more suitable rigidity can be obtained by adjusting the preload.

- **High transmission efficiency**

The transmission efficiency of ball screw can reach over 90%. The required torque is only 1/3 of that of ordinary lead screw or even less. By virtue of the design of the Gothic-type raceway, the clamping phenomenon in the form of circular groove is avoided, and the inherent low friction characteristics of the ball screw makes it easy to convert the linear motion into rotational motion.

Applications

- Automation industry
- Semiconductor industry
- CNC machine tool industry
- New energy and automobile industry

Parameters

One-time pitch nominal model	Shaft Diameter d	Screw Lead I	Diameter of Ball Da	Nut Size										Nut Rated Load		Rigidity K kgf/ μ m
				D	A	E	B	L	W	H	X	Q	n	Ca	Coa	
HBS1616G182	16	16	2.778	32	53	10.1	10	45	42	34	4.5	M6	1.8x2	1073	2551	31
HBS1616G282		16	2.778	32	53	10.1	10	61	42	34	4.5	M6	2.8x2	1568	3968	47
HBS2020G182	20	20	3.175	39	62	13	10	52	50	41	5.5	M6	1.8x2	1387	3515	37
HBS2020G282		20	3.175	39	62	13	10	72	50	41	5.5	M6	2.8x2	2029	5468	56
HBS2525G182	25	25	3.969	47	74	15	12	64	60	49	6.6	M6	1.8x2	2074	5494	45
HBS2525G282		25	3.969	47	74	15	12	89	60	49	6.6	M6	2.8x2	3032	8546	69
HBS3232G182	32	32	4.762	58	92	17	12	78	74	60	9	M6	1.8x2	3021	8690	58
HBS3232G282		32	4.762	58	92	17	12	110	74	60	9	M6	2.8x2	4417	13517	88
HBS4040G182	40	40	6.35	73	114	19.5	15	99	93	75	11	M6	1.8x2	4831	14D52	70
HBS4040G282		40	6.35	73	114	19.5	15	139	93	75	11	M6	2.8x2	7065	21874	106
HBS5050G182	50	50	7.938	90	135	21.5	20	117	112	92	14	M6	1.8x2	7220	21974	86
HBS5050G282		50	7.938	90	135	21.5	20	167	112	92	14	M6	2.8x2	1055B	34182	131
Two-time pitch nominal model	Shaft Diameter d	Screw Lead I	Diameter of Ball Da	Nut Size										Nut Rated Load		Rigidity K kgf/ μ m
				D	A	E	B	L	W	H	X	Q	n	Ca	Coa	
HBS1632G082	16	32	2.778	32	53	10.1	10	42.5	42	34	4.5	M6	0.8x2	493	1116	11
HBS1632G182		32	2.778	32	53	10.1	10	42.5	42	34	4.5	M6	1.8x2	989	2511	23
HBS2040G082	20	40	3.175	39	62	13	10	48	50	41	5.5	M6	0.8x2	653	1597	15
HBS2040G182		40	3.175	39	62	13	10	88	50	41	5.5	M6	1.8x2	1311	3592	30
HBS2550G082	25	50	3.969	47	74	15	12	58	60	49	6.6	M6	0.8x2	976	2495	19
HBS2550G182		50	3.969	47	74	15	12	108	60	49	6.6	M6	1.8x2	1960	5614	32
HBS3264G082	32	64	4.762	58	92	17	12	71	74	60	9	M6	0.8x2	1374	3571	22
HBS3264G182		64	4.762	58	92	17	12	135	74	60	9	M6	1.8x2	2759	8441	46
HBS4080G082	40	80	6.35	73	114	19.5	15	90	93	75	11	M6	0.8x2	2273	6387	29
HBS4080G182		80	6.35	73	114	19.5	15	170	93	75	11	M6	1.8x2	4566	14370	50
HBS50100G082	50	100	7.938	90	135	21.5	20	111	112	92	14	M6	0.8x2	3398	9980	35
HBS50100G182		100	7.938	90	135	21.5	20	211	112	92	14	M6	1.8x2	6824	22455	72

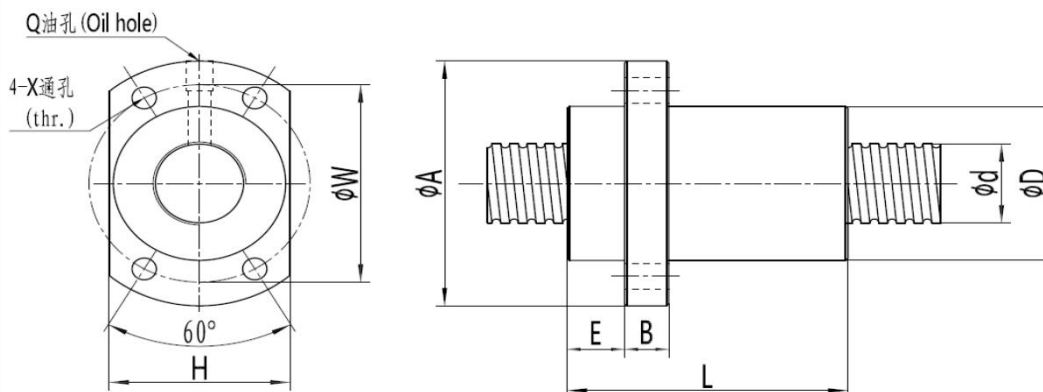
*All specifications are typical data and subject to change without notice due to product improvements.

*1 Recommended chiller

Brand: HAN★S TST

Product Name : Ball screw

Product Dimension Drawing



Parameters

Nominal model	Shaft Diameter d	Screw Lead I	Diameter of Ball Da	Nut Size									Nut Rated Load		Rigidity K kgf/ μ m
				D	A	B	L	W	H	X	Q	n	Ca	Coa	
HBS1205G281	12	5	2.5	24	40	10	31	32	30	4.5	—	2.8x1	661	1316	19
HBS1210G281		10	2.5	24	40	10	485	32	30	4.5	—	2.8x1	642	1287	19
HBS1605G381	15	5	2.778	28	48	10	38	38	40	5.5	M6	3.8x1	1112	2507	30
HBS1610G281		10	2.778	28	48	10	47	38	40	5.5	M6	2.8x1	839	1821	23
HBS1616G181		16	2.778	28	48	10	45	38	40	5.5	M6	1.8x1	552	1137	14
HBS1616G281		16	2.778	28	48	10	61	38	40	5.5	M6	2.8x1	808	1769	22
HBS1620G181		20	2.778	28	48	10	57	38	40	5.5	M6	1.8x1	554	1170	14
HBS2005G381	20	5	3.175	36	58	10	40	47	44	6.6	M6	3.8x1	1484	3681	37
HBS2010G381		10	3.175	36	58	10	60	47	44	6.6	M6	3.8x1	1516	3B33	40
HBS2020G181		20	3.175	36	58	10	57	47	44	6.6	M6	1.8x1	764	175B	19
HBS2020G281		20	3.175	36	58	10	77	47	44	6.6	M6	2.8x1	1118	2734	29
HBS2505G381	25	5	3.175	40	62	10	40	51	48	6.6	M6	3.8x1	1650	4658	43
HBS2510G381		10	3.175	40	62	12	62	51	48	6.6	M6	3.8x1	1638	4533	45
HBS2525G181		25	3.175	40	62	12	70	51	48	6.6	M6	1.8x1	843	2199	22
HBS2525G281		25	3.175	40	62	12	95	51	48	6.6	M6	2.8x1	1232	3421	34
HBS3205G381	32	5	3.175	50	80	12	42	65	62	9	M6	3.8x1	1839	6026	51
HBS3210G381	31	10	3.969	50	80	13	62	65	62	9	M6	3.8x1	2460	7255	55
HBS3220G281		20	203.969	50	80	12	80	65	62	9	M6	2.8x1	1907	5482	43
HBS3232G181		32	3.969	50	80	13	84	65	62	9	M6	1.8x1	1257	3426	27
HBS3232G281		31	3.969	50	80	13	116	65	62	9	M6	2.8x1	1838	5329	42
HBS4005G381	40	5	3.175	63	93	15	45	78	70	9	M8	3.8x1	2018	7589	60
HBS4010G381	38	10	6.35	63	93	14	63	78	70	9	M8	3.8x1	5035	13943	67
HBS4020G281		20	6.35	63	93	14	82	78	70	9	M8	2.8x1	3959	10715	54
HBS4040G181		40	6.35	63	93	15	105	78	70	9	M8	1.8x1	2585	6648	34
HBS4040G281		40	6.35	63	93	15	145	78	70	9	M8	2.8x1	3780	10341	52
HBS5005G381	50	5	3.175	75	110	15	45	93	85	11	M8	3.8x1	2207	9542	68
HBS5010G381	48	10	6.35	75	110	18	68	93	85	11	M8	3.8x1	5638	17852	79
HBS5012G381		12	6.35	75	110	18	75	93	85	11	M8	3.8x1	5632	17836	81
HBS5020G381		20	6.35	75	110	18	108	93	85	11	M8	3.8x1	5749	18485	87
HBS5050G181		50	6.35	75	110	18	125	93	85	11	M8	1.8x1	2946	8749	42
HBS5050G281		50	6.35	75	110	18	175	93	85	11	M8	2.8x1	4308	13610	65

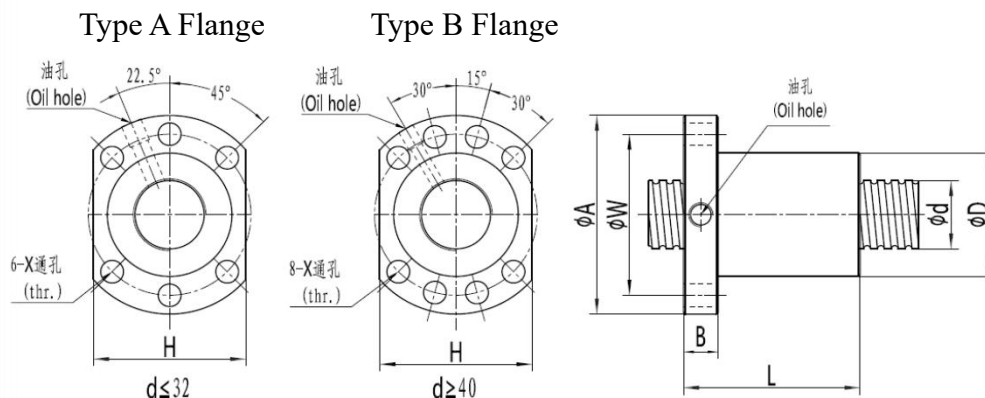
*All specifications are typical data and subject to change without notice due to product improvements.

*1 Recommended chiller

Brand: **HAN★S TST**

Product Name : **Ball screw**

Product Dimension Drawing



Parameters

Nominal model	Shaft Diameter d	Screw Lead I	Diameter of Ball Da	Nut Size										Nut Rated Load		Rigidity K kgf/ μ m
				D	A	E	B	L	W	H	X	Q	n	Ca	Coa	
HBS1205S281	12	5	2.5	24	40	5	10	30	32	30	4.5	—	2.8x1	661	1316	19
HBS1210S281		10	2.5	24	40	5	10	42	32	30	4.5	—	2.8x1	642	1287	19
HBS1605S381	15	5	2.778	28	48	5	10	31	38	40	5.5	M6	3.8x1	1112	2507	30
HBS1610S281		10	2.778	28	48	5	10	42	38	40	5.5	M6	2.8x1	839	1821	23
HBS1616S181		16	2.778	28	48	5	10	43	38	40	5.5	M6	1.8x1	552	1137	14
HBS1616S281		16	2.778	28	48	5	10	59	38	40	5.5	M6	2.8x1	808	1769	22
HBS1620S181		20	2.778	28	48	5	10	50	38	40	5.5	M6	1.8x1	554	1170	14
HBS1630S181		30	2.778	28	48	7	10	70	38	40	5.5	M6	3.8x1	534	1195	14
HBS2005S381	20	5	3.175	36	58	7	10	33	47	44	6.6	M6	3.8x1	1484	3681	37
HBS2010S381		10	3.175	36	58	7	10	52	47	44	6.6	M6	1.8x1	1516	3833	40
HBS2020S181		20	3.175	36	58	7	10	52	47	44	6.6	M6	2.8x1	764	1758	19
HBS2020S281		20	3.175	36	58	7	10	72	47	44	6.6	M6	3.8x1	1118	2734	29
HBS2505S381	25	5	3.175	40	62	7	12	33	51	48	6.6	M6	3.8x1	1650	4658	43
HBS2510S381		10	3.175	40	62	7	12	52	51	48	6.6	M6	1.8x1	1638	4633	45
HBS2525S181		25	3.175	40	62	7	12	60	51	48	6.6	M6	2.8x1	843	2199	22
HBS2525S281		25	3.175	40	62	7	12	85	51	48	6.6	M6	3.8x1	1232	3421	34
HBS3205S381	32	5	3.175	50	80	9	13	35	65	62	9	M6	3.8x1	1839	6026	51
HBS3210S381	31	10	3.969	50	80	9	12	53	65	62	9	M6	2.8x1	2460	7255	55
HBS3220S281		20	3.969	50	80	9	13	72	65	62	9	M8	1.8x1	1907	5482	43
HBS3232S181		32	3.969	50	80	9	13	78	65	62	9	M8	2.8x1	1257	3426	27
HBS3232S281		32	3.969	50	80	9	12	110	65	62	9	M8	3.8x1	1838	5329	42
HBS4005S381	40	5	3.175	63	93	9	14	39	78	70	9	M8	3.8x1	2018	7589	60
HBS4010S381	38	10	6.35	63	93	9	14	57	78	70	9	M8	2.8x1	5035	13943	67
HBS4020S281		20	6.35	63	93	9	14	78	78	70	9	M8	1.8x1	3959	10715	54
HBS4040S181		40	6.35	63	93	9	14	96	78	70	9	M8	2.8x1	2585	6648	34
HBS4040S281		40	6.35	63	93	9	14	136	78	70	9	M8	3.8x1	3780	10341	52
HBS5005S381	50	5	3.175	75	110	10.5	15	42	93	85	11	M8	3.8x1	2207	9542	68
HBS5010S381	48	10	6.35	75	110	10.5	18	57	93	85	11	M8	3.8x1	5638	17852	79
HBS5020S381		20	6.35	75	110	10.5	18	98	93	85	11	M8	3.8x1	5749	18485	87
HBS5050S181		50	6.35	75	110	10.5	18	117	93	85	11	M8	1.8x1	2946	8749	42
HBS5050S281		50	6.35	75	110	10.5	18	167	93	85	11	M8	2.8x1	4308	13610	65

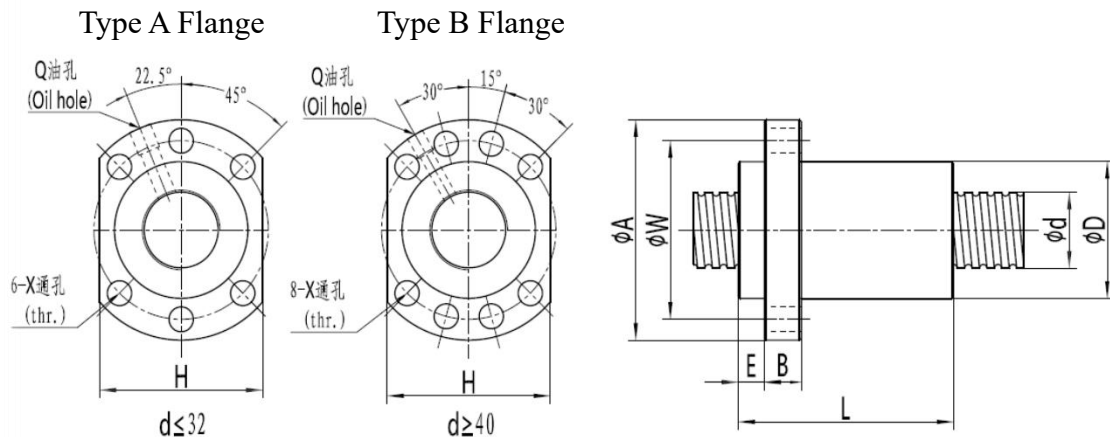
*All specifications are typical data and subject to change without notice due to product improvements.

*1 Recommended chiller

Brand: **HAN★S TST**

Product Name : **Ball screw**

Product Dimension Drawing



Parameters

Nominal model	Shaft Diameter d	Screw Lead I	Diameter of Ball Da	Nut Size											Nut Rated Load		Rigidity K kgf/ μ m
				D	A	B	L	W	H	X	Y	Z	Q	n	Ca	Coa	
HBS1604H104	16	4	2.381	30	49	10	45	39	34	4.5	8	4.5	M5	1x4	973	2406	32
HBS1605H104		5	3.175	30	49	10	50	39	34	4.5	8	4.5	M6	1x4	1380	3052	33
HBS1610H103		10	3.175	34	58	10	57	45	34	5.5	9.5	5.5	M6	1x3	1103	2401	27
HBS2004H104	20	4	2.381	34	57	11	46	45	40	5.5	9.5	5.5	M6	1x4	1066	2987	37
HBS2005H104		5	3.175	34	57	11	51	45	40	5.5	9.5	5.5	M6	1x4	1551	3875	39
HBS205TH104		5.08	3.175	34	57	11	51	45	40	5.5	9.5	5.5	M6	1x4	1550	3875	39
HBS2504H104	25	4	2.381	40	63	11	46	51	46	5.5	9.5	5.5	M6	1x4	1180	3795	43
HBS2505H104		5	3.175	40	63	11	51	51	46	5.5	9.5	5.5	M8	1x4	1724	4904	45
HBS255TH104		5.08	3.175	40	63	11	51	51	46	5.5	9.5	5.5	M8	1x4	1724	4904	45
HBS2510H104		10	4.762	46	72	12	85	58	52	6.5	11	6.5	M6	1x4	2954	7295	51
HBS3204H104	32	4	2.381	46	72	12	47	58	52	6.5	11	6.5	M6	1x4	1296	4838	49
HBS3205H104		5	3.175	46	72	12	52	58	52	6.5	11	6.5	M8	1x4	1922	6343	52
HBS3210H104		10	6.35	54	88	15	90	70	62	9	14	8.5	M8	1x4	4805	12208	62
HBS4005H104	40	5	3.175	56	90	15	55	72	64	9	14	8.5	M8	1x4	2110	7988	59
HBS4010H104		10	6.35	62	104	18	93	82	70	11	17.5	11	M8	1x4	5399	15500	72
HBS5010H104	50	10	6.35	72	114	18	93	92	82	11	17.5	11	M8	1x4	6004	19614	83
HBS6310H104	63	10	6.35	85	131	22	98	107	95	14	20	13	M8	1x4	6719	25358	95
HBS8010H104	80	10	6.35	105	150	22	98	127	115	14	20	13	M8	1x4	7346	31953	109

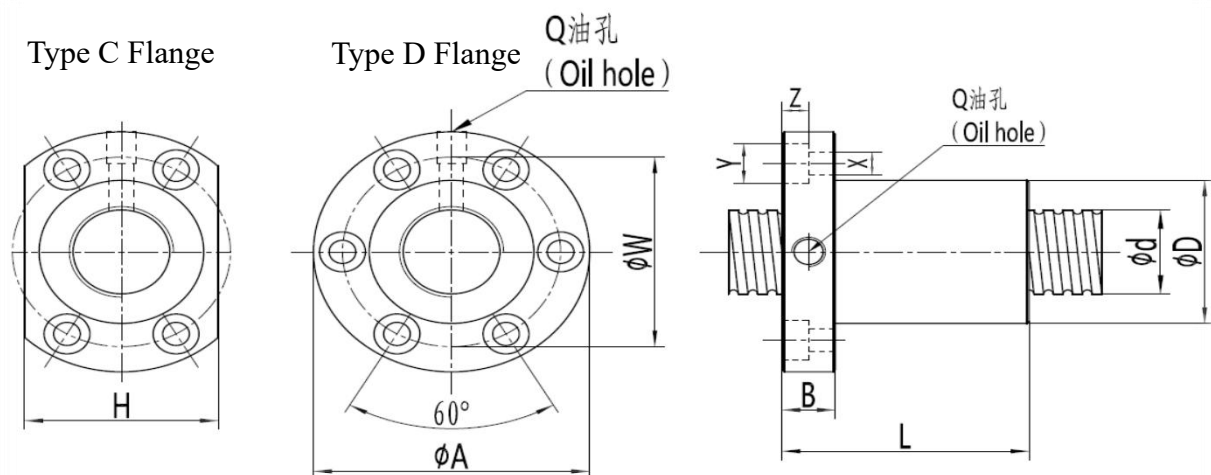
*All specifications are typical data and subject to change without notice due to product improvements.

*1 Recommended chiller

Brand: **HAN★S TST**

Product Name : **Ball screw**

Product Dimension Drawing



Parameters

Nominal model	Shaft Diameter d	Screw Lead I	Diameter of Ball Da	Nut Size											Nut Rated Load		Rigidity K kgf/μm
				D	A	B	L	W	H	X	Y	Z	Q	n	Ca	Coa	
HBSD(C/D)1604 H104	16	4	2.38	30	49	10	80	39	34	4.5	8	4.5	M6	1x4	973	2406	44
HBSD(C/D)1605 H104		5	3.175	30	49	10	100	39	34	4.5	8	4.5	M6	1x4	1380	3052	44
HBSD(C/D)2004 H104	20	4	2.381	34	57	11	80	45	40	5.5	9.5	5.5	M6	1x4	1066	2987	51
HBSD(C/D)2005 H104		5	3.175	34	57	11	101	45	40	5.5	9.5	5.5	M6	1x4	1551	3875	52
HBSD(C/D)2504 H104	25	4	2.381	40	63	11	80	51	46	5.5	9.5	5.5	M6	1x4	1180	3795	60
HBSD(C/D)2505 H104		5	3.175	40	63	11	101	51	46	5.5	9.5	5.5	M8	1x4	1724	4094	62
HBSD(C/D)255 TH104		5.08	3.175	40	63	11	101	51	46	5.5	9.5	5.5	M8	1x4	1724	4094	62
HBSD(C/D)2510 H104		10	4.762	46	72	12	145	58	52	6.5	11	6.5	M6	1x4	2954	7295	68
HBSD(C/D)3204 H104	32		2.38	46	72	12	80	58	52	6.5	11	6.5	M6	1x4	1296	4838	69
HBSD(C/D)3205 H104		5	3.175	46	72	12	102	58	52	6.5	11	6.5	M8	1x4	1922	6343	72
HBSD(C/D)325 TH104		5.08	3.175	46	72	12	102	58	52	6.5	11	6.5	M8	1x4	1922	6343	72
HBSD(C/D)3210 H104		10	6.35	54	88	15	162	70	62	9	14	8.5	M8	1x4	4805	12208	83
HBSD(C/D)4005 H104	40	5	3.175	56	90	15	105	72	64	9	14	8.5	M8	1x4	2110	7988	84
HBSD(C/D)4010 H104		10	6.35	62	104	18	165	82	70	11	17.5	11	M8	1x4	5399	15500	99
HBSD(C/D)5010 H104	50	10	6.35	72	114	18	171	92	82	11	17.5	11	M8	1x4	6004	19614	115
HBSD(C/D)6310 H104	63	10	6.35	85	131	22	182	107	95	14	20	13	M8	1x4	6719	25358	135
HBSD(C/D)8010 H104	80	10	6.35	105	150	22	182	127	115	14	20	13	M8	1x4	7346	31953	156

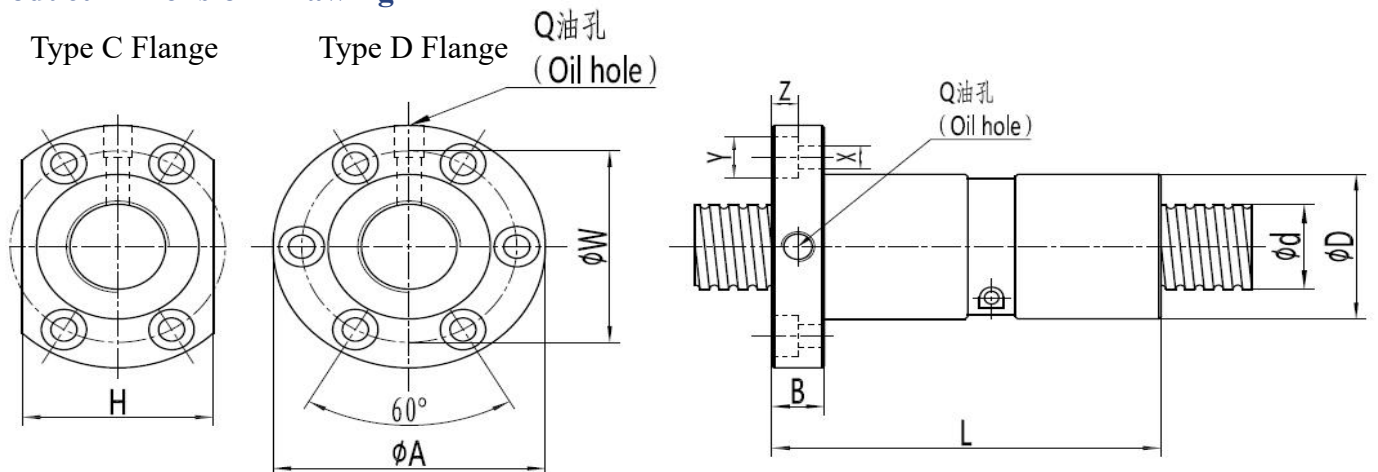
*All specifications are typical data and subject to change without notice due to product improvements.

*1 Recommended chiller

Brand: **HAN★S TST**

Product Name : **Ball screw**

Product Dimension Drawing



Parameters

Nominal Model	Shaft Diameter d	Screw Lead I	Diameter of Ball Da	Nut Size									Nut Rated Load		Rigidity K kgf/μm
				D	A	B	L	W	H	X	Q	n	Ca	Coa	
HBS1204H104	12	4	2.5	24	40	10	40	32	30	4.5		1x4	902	1884	26
HBS1604H104	16	4	2.381	28	48	10	40	38	40	5.5	M6	1x4	973	2406	32
HBS1605H104		5	3.175	28	48	10	50	38	40	5.5	M6	1x4	1380	3052	32
HBS1610H103		10	3.175	28	48	10	57	3B	40	5.5	M6	1x3	1103	2401	26
HBS2004H104	20	4	2.381	36	58	10	42	47	44	6.6	M6	1x4	1066	2987	38
HBS2005H104		5	3.175	36	58	10	51	47	44	6.6	M6	1x4	1551	3875	39
HBS2504H104	25	4	2.381	40	62	10	42	51	48	6.6	M6	1x4	1180	3795	43
HBS2505H104		5	3.175	40	62	10	51	51	48	6.6	M6	1x4	1724	4904	45
HBS2506H104		6	3.969	40	62	10	54	51	48	6.6	M6	1x4	2318	6057	47
HBS250BH104		8	4.762	40	62	10	63	51	48	6.6	M6	1x4	2963	7313	49
HBS2510H104		10	4.762	40	62	12	85	51	48	6.6	M6	1x4	2954	7295	50
HBS3204H104	32	4	2.381	50	80	12	44	65	62	9	M6	1x4	1295	4838	51
HBS3205H104		5	3.175	50	80	12	52	65	62	9	M6	1x4	1922	6343	54
HBS3206H104		6	3.969	50	80	12	57	65	62	9	M6	1x4	2632	7979	57
HBS3208H104		8	4.762	50	80	12	65	65	62	9	M6	1x4	3387	9622	60
HBS3210H104		10	6.35	50	80	12	90	65	62	9	M6	1x4	4805	12208	61
HBS4005H104	40	5	3.175	63	93	14	55	78	70	9	M8	1x4	2110	7988	63
HBS4006H104		6	3.969	63	93	14	60	78	70	9	M6	1x4	2873	9913	66
HBS4008H104		8	4.762	63	93	14	67	78	70	9	M6	1x4	3712	11947	70
HBS4010H104		10	6.35	63	93	14	93	78	70	9	M8	1x4	5399	15500	73
HBS5010H104	50	10	6.35	75	110	16	93	93	85	11	M8	1x4	6004	19614	85
HBS5020H104		20	7.144	75	110	16	138	93	85	11	M8	1x4	7142	22588	94
HBS6310H104		10	6.35	90	125	18	98	108	95	11	M8	1x4	6719	25358	99
HBS6320H104	63	20	9.525	95	135	20	149	115	100	13.5	M8	1x4	11444	36653	112
HBS8010H104	80	10	6.35	105	145	20	98	125	110	13.5	M8	1x4	7346	31953	109
HBS8020H104		20	9.525	125	165	25	154	145	130	13.5	M8	1x4	12911	47747	138
HBS10020H104	100	20	9.525	150	202	30	180	170	155	17.5	M8	1x4	14303	60698	162

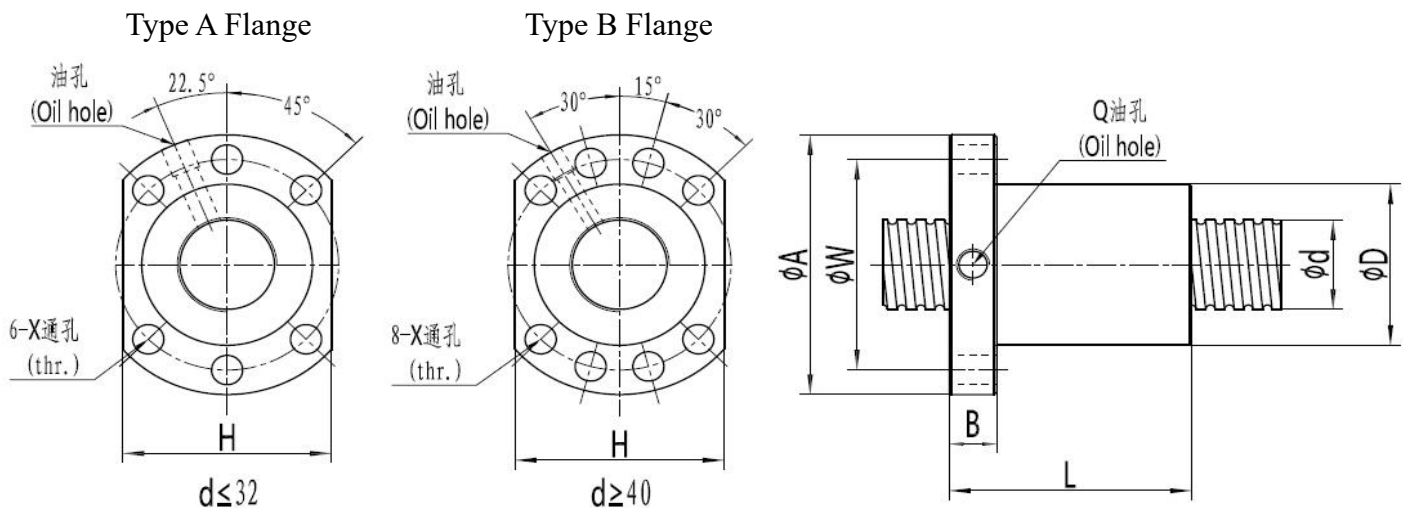
*All specifications are typical data and subject to change without notice due to product improvements.

*1 Recommended chiller

Brand: HAN★S TST

Product Name : Ball screw

Product Dimension Drawing



Parameters

Nominal Model	Shaft Diameter d	Screw Lead I	Diameter of Ball Da	Nut Size									Nut Rated Load		Rigidity K kgf/μm
				D	A	B	L	W	H	X	Q	n	Ca	Coa	
HBSD(A/B)1604H104	16	4	2.381	28	48	10	80	38	40	5.5	M6	1x4	973	2406	43
HBSD(A/B)1605H104		5	3.175	28	48	10	100	38	40	5.5	M6	1x4	1380	3052	44
HBSD(A/B)1610H103		10	3.175	28	48	10	118	38	40	5.5	M6	1x3	1103	2401	35
HBSD(A/B)2004H104	20	4	2.381	36	58	10	80	47	44	6.6	M6	1x4	1065	2987	51
HBSD(A/B)2005H104		5	3.175	36	58	10	101	47	44	6.6	M6	1x4	1551	3875	53
HBSD(A/B)2504H104	25	4	2.381	40	62	10	80	51	48	6.6	M6	1x4	1180	3795	60
HBSD(A/B)2505H104		5	3.175	40	62	10	101	51	48	6.6	M6	1x4	1724	4904	62
HBSD(A/B)2506H104		6	3.969	40	62	10	105	51	48	6.6	M6	1x4	2318	6057	64
HBSD(A/B)250BH104		8	4.762	40	62	10	120	51	48	6.6	M6	1x4	2963	7313	67
HBSD(A/B)2510H104		10	4.762	40	62	12	145	51	48	6.6	M6	1x4	2954	7295	67
HBSD(A/B)3204H104	32	4	2.381	50	80	12	80	65	62	9	M6	1x4	1296	4838	71
HBSD(A/B)3205H104		5	3.175	50	80	12	102	65	62	9	M6	1x4	1922	6343	74
HBSD(A/B)3205H104		6	3.969	50	80	12	105	65	62	9	M6	1x4	2632	7979	78
HBSD(A/B)3208H104		8	4.762	50	80	12	122	65	62	9	M6	1x4	3387	9622	82
HBSD(A/B)3210H104		10	6.35	50	80	12	162	65	62	9	M6	1x4	4805	1220B	82
HBSD(A/B)4005H104	40	5	3.175	63	93	14	105	78	70	9	M8	1x4	2110	7988	87
HBSD(A/B)4006H104		6	3.969	63	93	14	108	78	70	9	M6	1x4	2873	9913	91
HBSD(A/B)4008H104		8	4.762	63	93	14	132	78	70	9	M6	1x4	3712	11947	96
HBSD(A/B)4010H104		10	6.35	63	93	14	165	78	70	9	M8	1x4	5399	15500	99
HBSD(A/B)5010H104	50	10	6.35	75	110	16	171	93	85	11	M8	1x4	6004	19614	117
HBSD(A/B)5020H104		20	7.144	75	110	16	280	93	85	11	M8	1x4	7142	2258B	126
HBSD(A/B)6310H104	63	10	6.35	90	125	18	182	108	95	11	M8	1x4	6719	25358	139
HBSD(A/B)6320H104		20	9.525	95	135	20	290	115	100	13.5	M8	1x4	11444	36653	152
HBSD(A/B)8010H104	80	10	6.35	105	145	20	182	125	110	13.5	M8	1x4	7346	31953	156
HBSD(A/B)8020H104		20	9.525	125	165	25	295	145	130	13.5	M8	1x4	12911	47747	187
HBSD(A/B)10020H104	100	20	9.525	150	202	30	340	170	155	17.5	M8	1x4	14303	60698	222

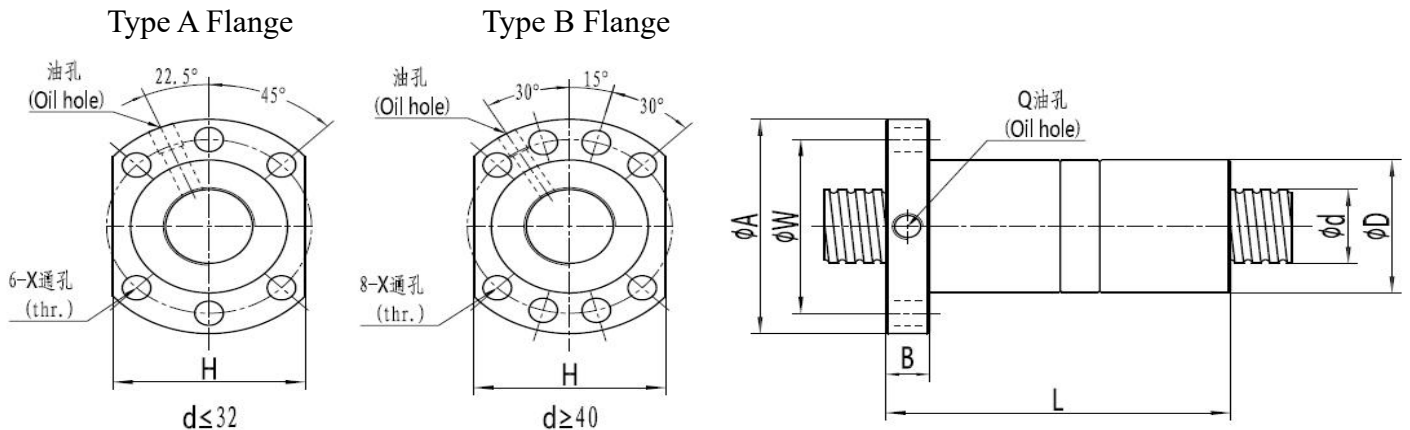
*All specifications are typical data and subject to change without notice due to product improvements.

*1 Recommended chiller

Brand: **HAN★S TST**

Product Name: **Ball screw**

Product Dimension Drawing



Parameters

Nominal Model	Shaft Diameter d	Screw Lead I	Diameter of Ball Da	Nut Size											Nut Rated Load		Rigidity K kgf/ μ m
				D	A	B	L	W	H	X	Y	Z	Q	n	Ca	Coa	
HBS0401C102	4	1	0.8	10	20	3	12	15	14	2.9	—	—	—	1x2	64	97	5
HBS0601C103	6	1	0.8	12	24	3.5	15	18	16	3.4	—	—	—	1x3	111	224	9
HBS0801C104	8	1	0.8	14	27	4	16	21	18	3.4	—	—	—	1x4	161	403	14
HBS0802C103		2	1.2	14	27	4	16	21	18	3.4	—	—	—	1x3	222	458	13
HBS082.5C103		2.5	1.2	16	29	4	26	23	20	3.4	—	—	—	1x3	221	457	13
HBS1002C103	10	2	1.2	18	35	5	28	27	22	4.5	—	—	—	1x3	243	569	15
HBS1004C103		4	2	26	45	10	34	36	28	4.5	8	4.5	M6	1x3	468	905	17
HBS1202C104	12	2	1.2	20	37	5	28	29	24	4.5	—	—	—	1x4	334	906	22
HBS1402C104	14	2	1.2	21	40	6	23	31	26	5.5	—	—	—	1x4	354	1053	24
HBS1602C104	16	2	1.2	25	43	10	40	35	29	5.5	—	—	M6	1x4	373	1200	26
HBS2002C106	20	2	1.2	50	80	15	55	65	68	6.5	10.5	6	M6	1x6	581	2284	48
HBS2502C105	25	2	1.2	50	80	13	43	65	68	6.5	10.5	6	M6	1x5	540	2381	46

*All specifications are typical data and subject to change without notice due to product improvements.

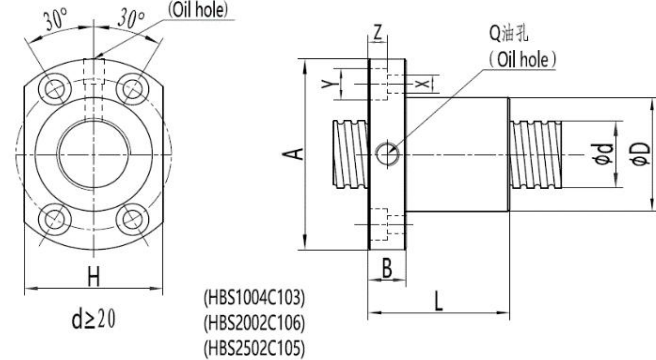
*1 Recommended chiller

Brand: **HAN★S TST**

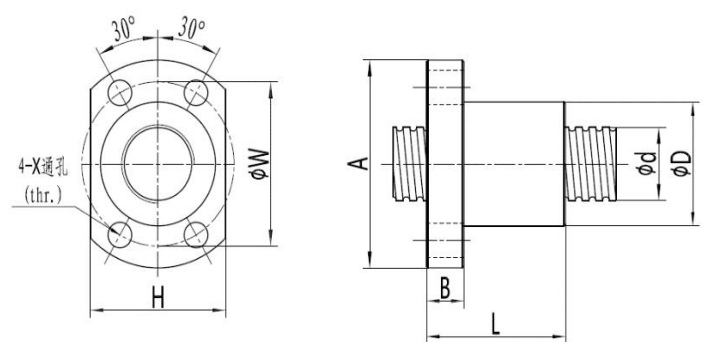
Product Name : **Ball screw**

Product Dimension Drawing

Type C Flange Q油孔



Type C Flange



Parameters

Nominal model	Shaft Diameter d	Screw Lead I	Diameter of Ball Da	Nut Size										Nut Rated Load		Rigidity K kgf/μm	
				D	A	B	L	W	H	X	Y	Z	Q	n	Ca		Coa
HBS1204H103	12	4	2.5	24	40	6	28	32	25	3.5	—	—	—	1x3	454	722	—
HBS1205H103		5	2.5	22	37	8	39	29	24	4.5	—	—	—	1x3	675	1316	17

*All specifications are typical data and subject to change without notice due to product improvements.

*¹ Recommended chiller

Brand: **HAN★S TST**

Product Name : **Ball screw**

Product Dimension Drawing

Type C Flange

