

Beam Expander



BEAM EXPANDER

Expand the beam diameter and reduce the beam divergence angle.

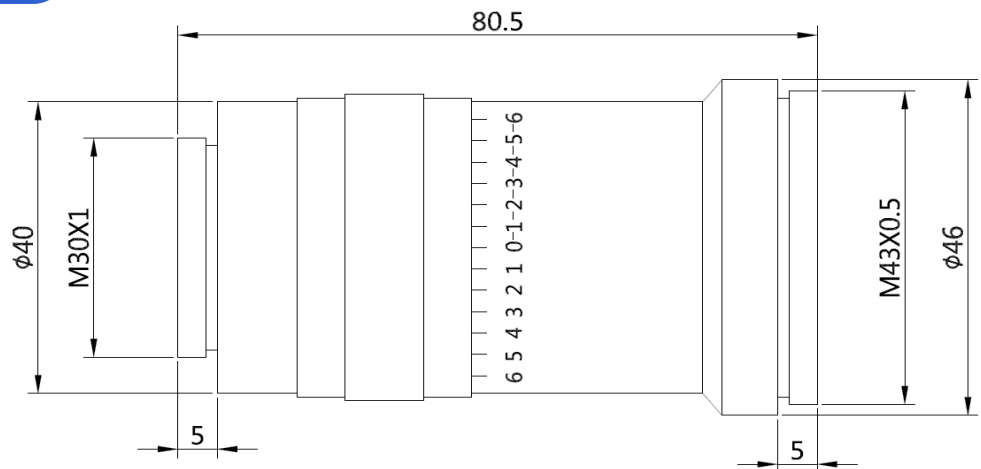
Technical Parameters

Beam Expander

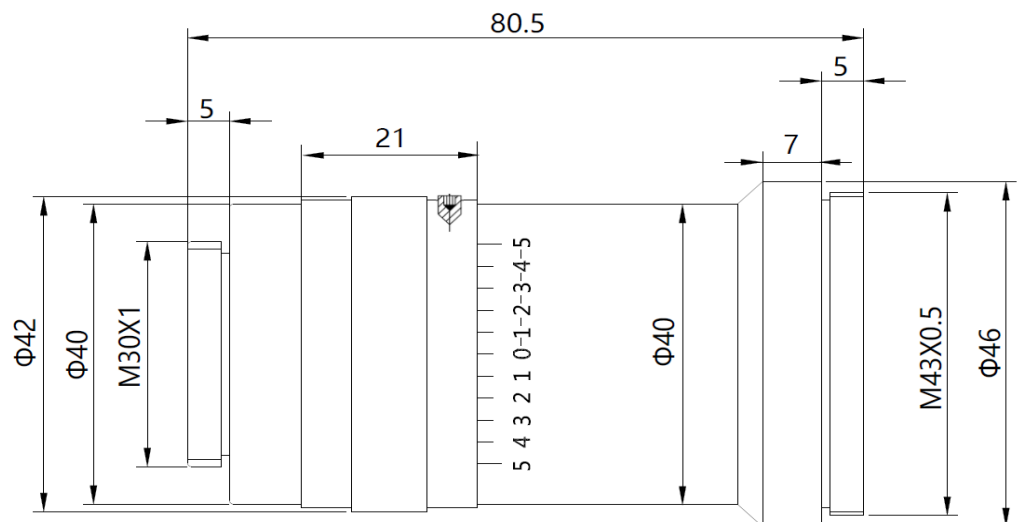
	1.5X-1064C-M30*1	6X-355-A-L-M30X1-T6	6X-355-C	3X-1064-C-H	3X-532-C	3X-355-C	JG-BEX-10.6-1.5Z
Design Wavelength	1064 nm	355 nm		1064 nm	532 nm	355 nm	10.6 um
Magnification Factor	1.5X	6X		3X			1.5X
Optical Principle	Galilei (no internal focus)						/
Mount Thread	M30×1 and M43×0.5	M30×1		M30×1 and M43×0.5			M22×0.75
Clear Input Aperture (mm)	20	9.6		10	12		15
Clear Output Aperture (mm)	31	21		33	18		25
Max. Input Beam Diameter (mm)	15	3		6	3		/
Wavefront Error	$\lambda/10@ 1/e^2$ diameter						<math>< 1/10</math> for <math>1 2l="" 3.0<="" diameter="" e^2<="" math>="" of="" td=""> </math>1>
Total Transmission	> 98%						98%
Divergence Adjustable							√
No Internal Ghost							√
Accessory (if required)	adapter M30×1 to M22×0.75	×		adapter M30×1 to M22×0.75			/

Dimensions (mm)

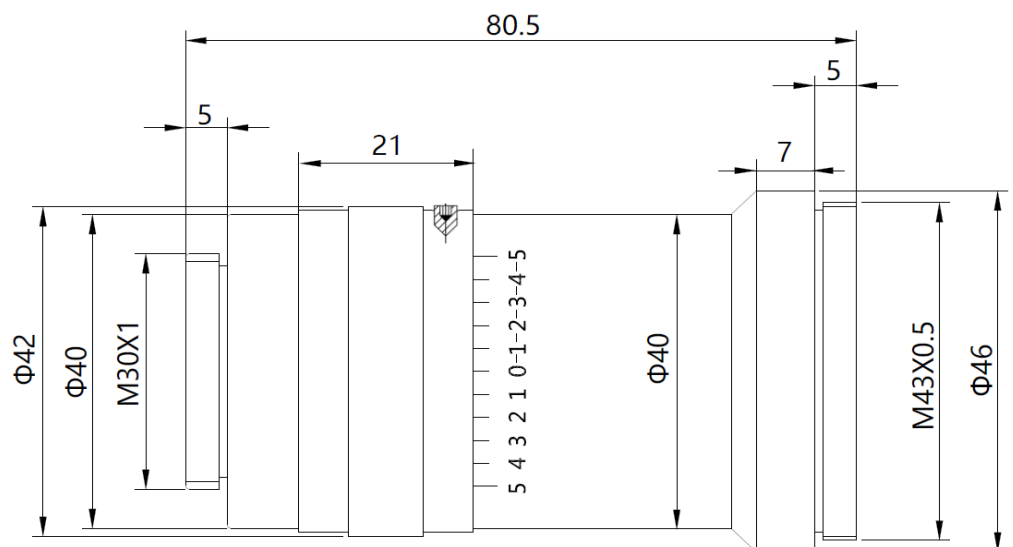
1.5X-1064C- M30*1



6X-355-A-L-M30X1-T6

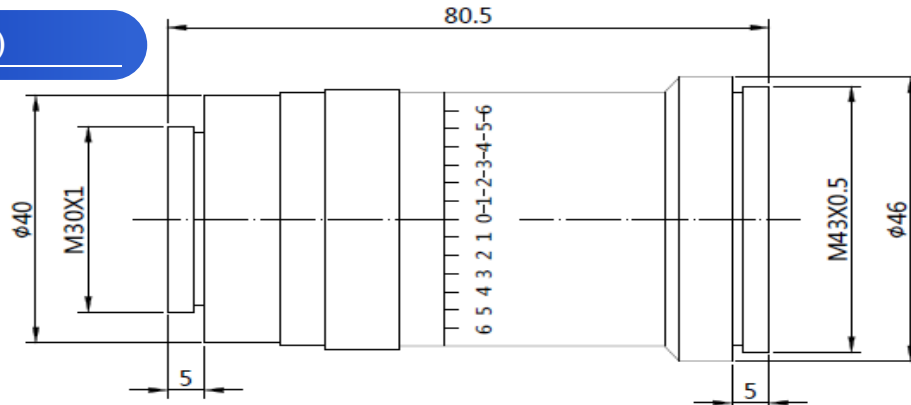


6X-355-C

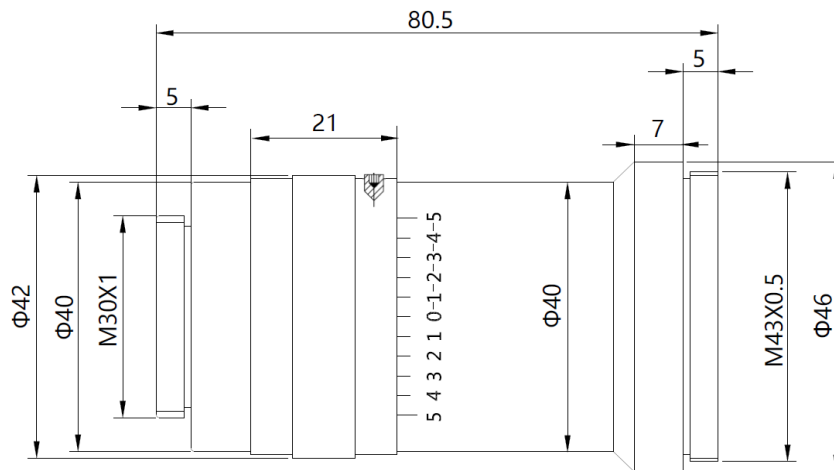


Dimensions (mm)

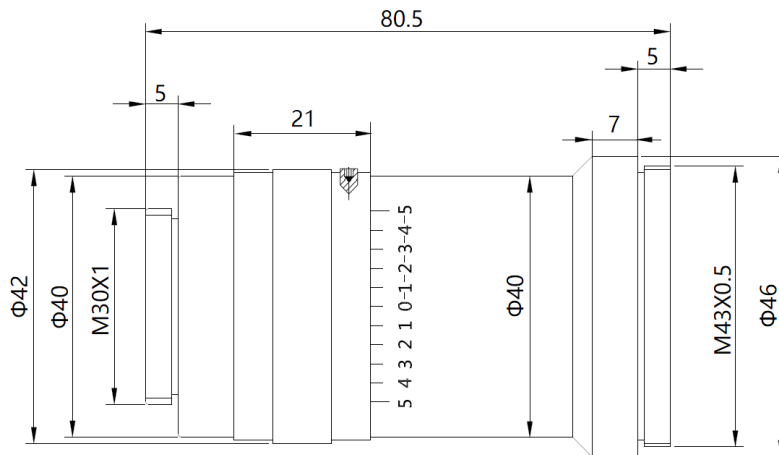
3X-1064-C-H



3X-532-C



3X-355-C



JG-BEX-10.6-1.5Z

